

DESIGN PARAMETERS:
(EN13480:2002 part 1-7), ASME B31.3

MAX DESIGN PRESSURE:
500 psi/34 BAR

MIN DESIGN TEMPERATURE:
See Seal Materials

MAX DESIGN TEMPERATURE:
See Seal Materials

Materials	Carbon Steel 8300 / 8400	Aluminum 8600	Stainless Steel 8800 / 8900
Sealing Flange	ASTM A350-LF2 Class 1	ASTM B26 A356-T6	ASTM A351-CF3M
Body	ASTM A350-LF2 Class 1*	ASTM B26 A356-T6	ASTM A351-CF3M
Tail	ASTM A350-LF2 Class 1*	ASTM B26 A356-T6	ASTM A351-CF3M
Elbow	ASTM A234 WCB	6061-T6	ASTM A351 CF3M 316L
150/300 lb Flange	ASTM A105	6061-T6	ASTM A351 CF3M 316L
Bearing	Grade 200 CST	Grade 200 CST	Grade 440 CST
Bolt	A193 B7	A193 B7	A193 B8M Class 2
Ball Plug/Nut	Carbon Steel	Carbon Steel	Stainless Steel
Grease Fittings	Stainless Steel	Stainless Steel	Stainless Steel

*Carburized to RC 45-60

MAIN AND BACK-UP SEALS

	Min Temp (F/C)	Max Temp (F/C)
Buna-N 1500	-20°F/-28.8°C	250°F/121.1°C
Viton GFLT™	-20°F/-28.8°C	400°F/204.4°C
Teflon™ (PFA) encapsulated Silicone (FDA Approved)	-50°F/-45.6°C	350°F/176.6°C
EPT	-50°F/-45.6°C	225°F/107.2°C
Kalrez™ 6375	0°F/-17.7°C	500°F/260°C

All Endura™ DSF Swivels come standard with specified main and back-up seals. Teflon encapsulated Viton environmental seals (qty. 2) and Static product seals (qty. 1) are standard. Other seals available upon request.

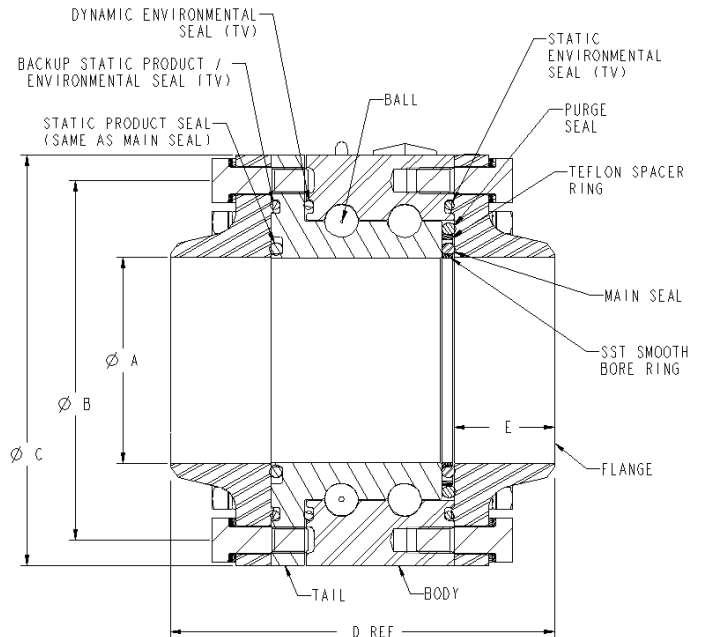
SEAL KITS

Size/DIN	Buna-N 1500	Viton® GFLT	Teflon®/ Silicone	EPT	Kalrez™
2" / DN 50	8400RK-0201	8400RK-0202	8400RK-0203	8400RK-0204	8400RK-0206
3" / DN 80	8400RK-0301	8400RK-0302	8400RK-0303	8400RK-0304	8400RK-0306
4" / DN 100	8400RK-0401	8400RK-0402	8400RK-0403	8400RK-0404	8400RK-0406

All Endura™ DSF Seal Kits include (2) Main seals, (1) Back-up seal and (3) Teflon encapsulated Viton environmental seals. Also included are required seal spacers and hardware.

LUBRICANTS

Product	Description
888	Standard lubricant for DSF Swivels. High Temp Lubricant, -40°F to 750°F (-40°C to 400°C), TP-2557 by Tom-Pac. Not for use with EPT Seals.
883	Temperature rating -40°F to 350°F (-40°C to 177°C), Mobilith SHC-220 by Exxon-Mobil. Not for use with EPT Seals.
885	Lubricant for DSF Swivels with EPT Seals, -100°F to 400°F (-73°C to 204°C), MolyKote 33 Medium by Dow Corning.
887	Lubricant for DSF Swivels in Food Service applications, 0°F to 300°F (-18°C to 149°C), White EP by Dow Corning.



DIMENSIONS

Description	Type	2" (DN 50)		3" (DN 80)		4" (DN 100)	
		in	mm	in	mm	in	mm
Dimension A		2.067	52.5	3.064	79.8	4.06	103.18
Dimension B		4.61	117.1	5.36	136.1	6.9	175.3
Dimension C		5.33	135.4	6.13	155.8	7.84	199.1
	Dual	5.725	145.4	5.725	145.4	6.175	156.8
Dimension D	Single	4.81	122.2	4.81	122.2	5.25	133.4
Dimension E		1.5	38.1	1.5	38.1	1.5	38.1
Bolt Torque		ft-lbf	Nm	ft-lbf	Nm	ft-lbf	Nm
		28	38	28	38	75	102
Weight		lbs	kg	lbs	kg	lbs	kg
	Dual	21	9.53	26	11.79	44	19.96
	Single	16	7.26	20	9.07	35	15.88

IMPORTANT: OPW products should be used in compliance with applicable federal, state, provincial, and local laws and regulations. Product selection should be based on physical specifications and limitations and compatibility with the environment and materials to be handled. OPW MAKES NO WARRANTY OF FITNESS FOR A PARTICULAR USE. All illustrations and specifications in this literature are based on the latest product information available at the time of publication. OPW reserves the right to make changes at any time in prices, materials, specifications and models and to discontinue models without notice or obligation.

Warning: EPT Seals require the use of a non-petroleum based lubricant. Must use OPW 885 Lubricant for all swivels provided with EPT Seals. Not for use with EPT Seals.