



A member of the BTR Group

## Parts List 2" and 3" TP and TPL Turbo-Meters Safety Interlock Device

### 2" and 3" TP and TPL Turbo-Meters— Safety Interlock Device

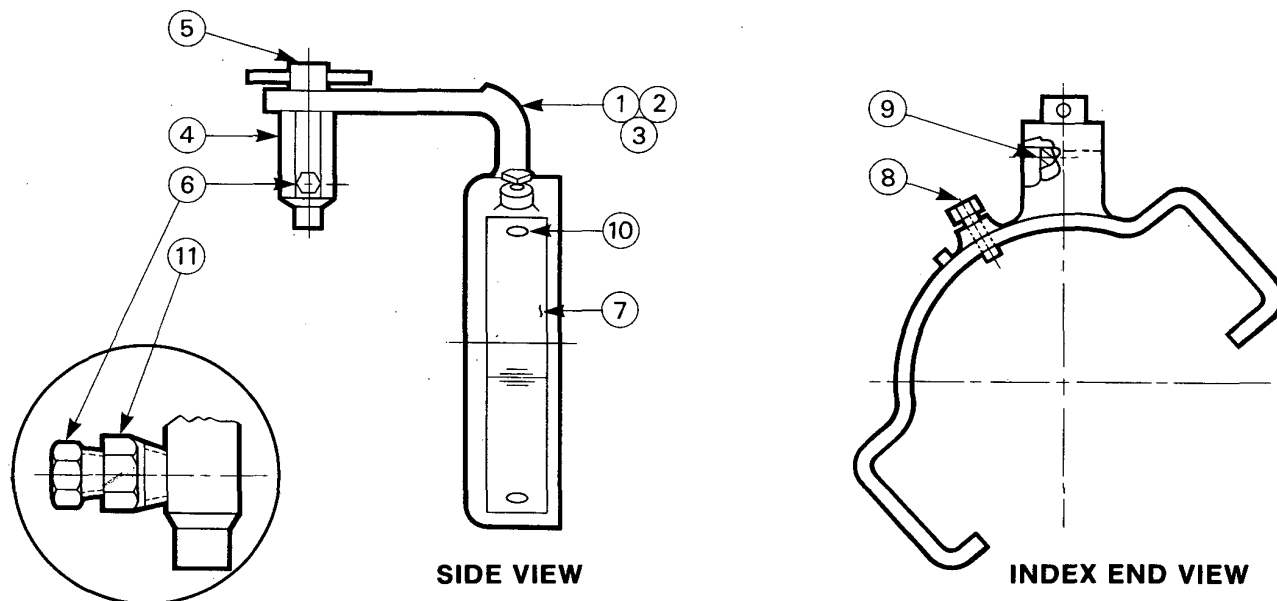


ILLUSTRATION NUMBER	QUANTITY REQUIRED	PART DESCRIPTION	PART NUMBER
1	1	2" TP-4 Half-Clamp Cover Assembly	00616-177-01
2	1	2" TPL-9 Half-Clamp Cover Assembly	00616-177-00
3	1	3" TP-9 and 3" TPL-9 Half-Clamp Cover Assembly	00620-177-00
4	1	Relief Valve, 2" TP-4 Only	00616-142-00
4	1	Relief Valve, 3" TP-9, 2" and 3" TPL-9	00620-142-00
5	1	Relief Valve Stem	00620-144-01
6	1	1/4"-18" NPT Hexagon Head Pipe Plug	950179
7	1	Danger Label	00620-136-03
8	1	5/16"-18 NC x 1-1/4" Long Hexagon Head Machine Screw	950592
*9	1	Roll Pin .094 Diameter x 7/8" Long	950531
10	2	#4-3/16" Long Drive Screw	903504
11	1	1/8" Male to 1/4" Female NPT Connection	950553
12	1	2CC Container Loctite 277 Red	1191465

\*Included in assembly

COMPLETE RETROFIT KIT	
DESCRIPTION	PART NUMBER
For 2" TP-4	00616-677-00000
For 2" TPL-9	00616-677-01000
For 3" TPL-9 And 3" TP-9	00620-677-00000



805 Liberty Boulevard  
P.O. Box 528  
DuBois, Pennsylvania 15801  
(814) 371-8000  
FAX (814) 375-8460

A member of the BTR Group