

Ultrasonic Sonix 600

SONIX

Sonix is nothing short of a transformation in gas metering. Unlike mechanical diaphragm meters, the Sonix digital design completely eliminates moving parts, relying instead on the proven technology of ultrasonics

to measure gas flow. The digital design provides a host of additional advantages. It creates a platform for extensive diagnostic capabilities and highly accurate temperature correction. Its compact size drastically reduces installation and labor costs and space requirements. A true expression of the principle that "less is more," Sonix's compact size and simple, no-moving parts design offers unprecedented levels of accuracy, reliability, and performance available in no other gas meter, all backed by a full 15 year warranty – the best in the industry.



Specifications

General

Meter Type: Single path ultrasonic
 Meter Model: Sonix 600 Imperial – Sonix 16 Metric
 Connections: 1-1/4" NPT Male, 20 LT, 30 LT, 45 LT,
 1A Spg., #2 Spg., #3 Spg.
 Connection Configuration: Top in / top out, 6" center
 Mounting: Connection up preferred
 MAOP: 20 psig
 Temperature Range: -30° to +130° F correction
 Temperature Range: -30° to +150° F ambient
 Gas Application: clean, dry natural gas insensitive
 to liquid, particulate, and freezing
 Gases with Specific Gravity between 0.6
 (Natural Gas) and 1 (Air)
 Filter/flow conditioning: None required

Rangeability

Capacity: 600 cfh at ΔP of 0.5" w.c.
 22:1 ($\pm 1\%$ from 25 - 565 cfh)
 94:1 ($\pm 2\%$ from 6 - 25 cfh)
 Low flow cutoff: 0.42 cfh
 Capacity: 1,130 cfh at ΔP of 2.0" w.c.
 45:1 ($\pm 1\%$ from 25 - 1,130 cfh)
 188:1 ($\pm 2\%$ from 6 - 25 cfh)
 Low flow cutoff: 0.42 cfh

Physical

Display: 3/8" LCD
 4, 5, or 6 digit capacity registration
 3 digit alarm/high resolution index
 Imperial/metric units
 Case: 383 aluminum alloy
 Dimensions: 10.25" x 9.5" x 6.8"
 Weight: 12 lbs.

Power

Voltage range: 2.5 – 3.7 vDC
 Battery: single "D" cell lithium thionyl chloride
 10 year Year battery life warranty
 Battery: field replaceable
 Flash memory for permanent information retention
 without power

Communications

Optical reading port requires optical probe and
 SONIXCOM software
 Pulse type: Form A
 Pulse duration: 50ms
 Pulse rate: User scaleable
 1 cu ft/pulse or liter/pulse
 10 cu ft/pulse or liter/pulse
 100 cu ft/pulse or liter/pulse
 1000 cu ft/pulse or liter/pulse
 AMR type: any Form A pulse collector

Features

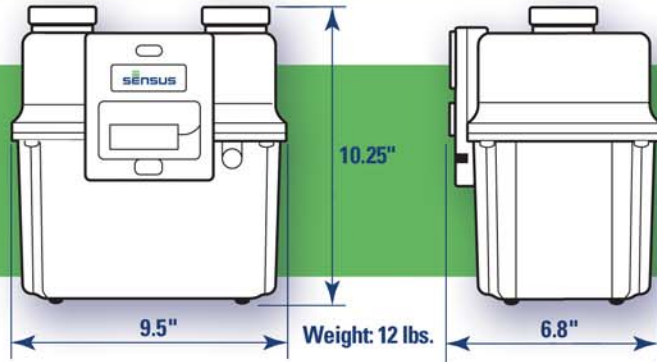
Warranty: 15-years meter
 10-years battery
 Diagnostics: Anti-tamper alarms detects and logs
 reverse flow and air in the meter
 Temperature Compensation: Internal thermistor
 Pressure Compensation: Programmable fixed factor
 Mechanical parts: None
 Proof verification: Compatible with sonic nozzle
 provers
 Data Logging: Hourly for 60 days

Regulatory Standards

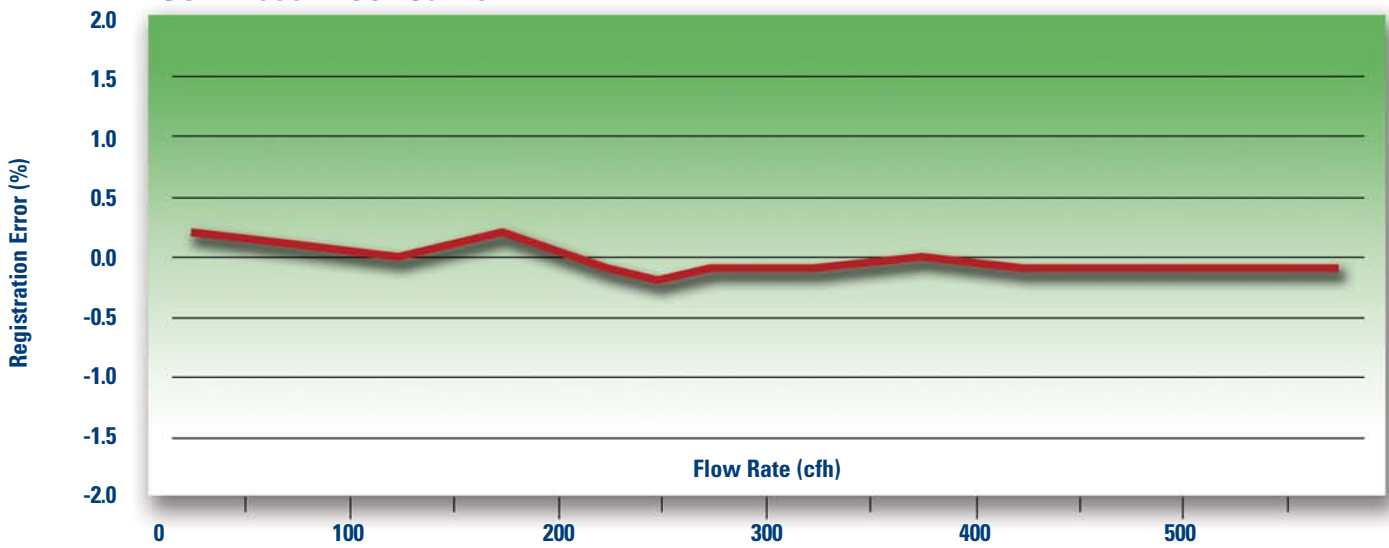
Safety approvals:
 Certifications to CSA C22.2 No 213 Class 1,
 Division 2 (pending)
 Certification to ATEX II 1 G EEx ia IIB T4 Zone 0,
 Type i
 Metrology Approvals:
 Measurement Canada Approval AG-0514

Ultrasonic Gas Meter Sonix 600

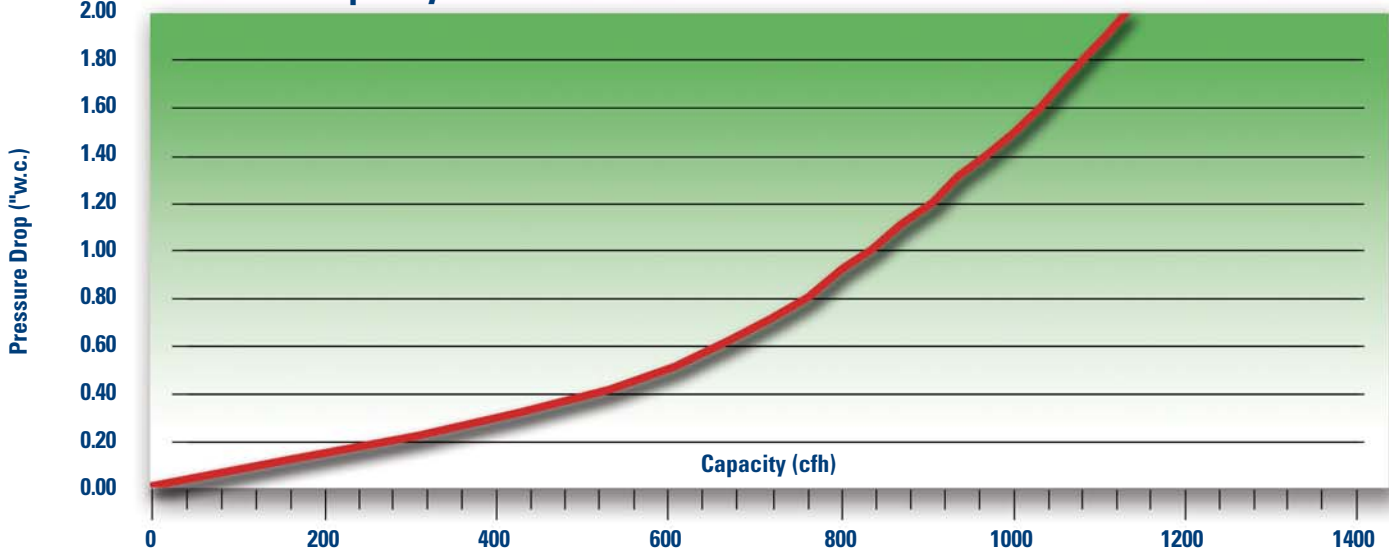
SONIXTM



Sonix 600 Proof Curve



Sonix 600 Capacity Curve



SENSUS

805 Liberty Boulevard • DuBois, PA 15801
800-375-8875 • Fax: (814) 375-8460
www.sensus.com/gas

This product incorporates technology licensed from British Gas plc.