

Description

Strainers are installed in pipelines ahead of meters, pumps, valves and other flow stream equipment for protection against intrusion of pipe scale, welding spatter and other foreign material. The use of a properly sized strainer, together with a basket of suitable mesh, reduces maintenance and the chance of system failure due to foreign material in the flowing stream.

Brodie Vertical In-Line Strainers are available in sizes 2" - 24" for maximum working pressures up to 1480 psi (10,197 kPa).

When it is known that large amounts of lint or iron oxide are present in a flowing stream, a large strainer should be used. Resins, gums or varnishes, present in the stream, will also cause the strainer basket to clog prematurely. Larger size foreign matter such as pebbles, welding beads, etc., should be removed at frequent intervals to prevent abrasive action from damaging the basket screen.

Strainer Baskets

The strainer basket must be kept clean for effective safe operation. A buildup of sediment increases pressure drop and decreases flow. If the basket is allowed to become completely clogged, damage will result. It is recommended that pressure gauges be installed both upstream and downstream of the strainer. The differential pressure between these two gauges will give an indication of the condition of the basket.

Recommended screen mesh will vary according to the products being monitored and the condition of the pipeline. In most applications gasoline and similar products will use a 60 mesh screen. Diesel, number 2 oil, and similar products will use a 40 mesh screen. Liquids

WARNING

Do NOT operate this instrument in excess of the specifications listed. Failure to heed this warning could result in serious injury and/or damage to the equipment.

such as heating oils will require a 20 mesh screen.

Design Features

- Easy access vertical, in-line application
- Easy maintenance
- Provides maximum protection against intrusion of foreign material

Materials of Construction

Housing: Steel

Basket: Steel basket, 1/8" perforation standard with a variety of mesh screens, 304 stainless steel mesh

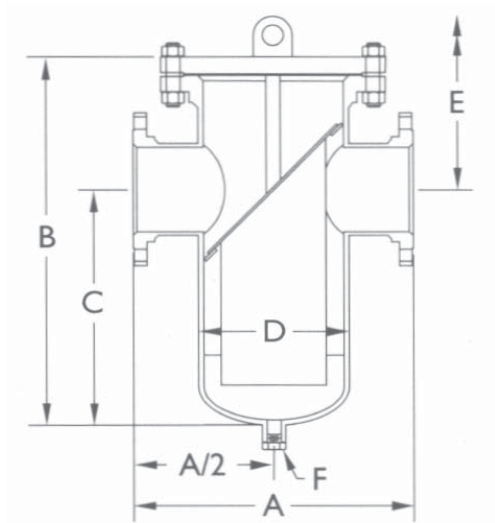
Specifications

Flange Ratings at 100°F (38°C)

150 lb. ANSI 285 psi (1964 kPa); 16 Bars/PN16,
19.6 Bars/PN25

300 lb. ANSI 740 psi (5099 kPa); 25 Bars/PN25, 40

Dimensions 150# Strainer (For Certified Dimensional Prints - Consult Factory)



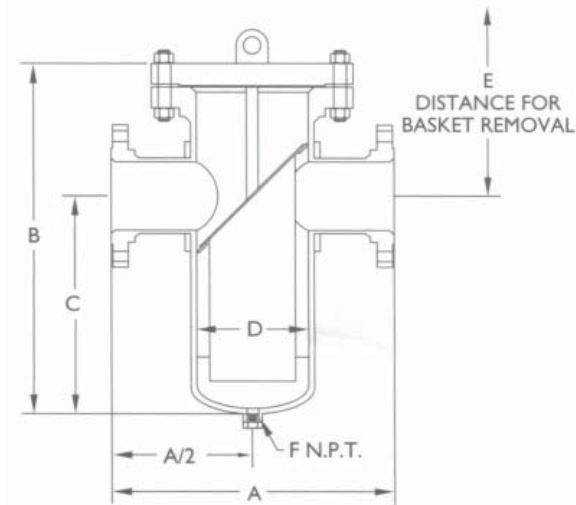
Size Range	Opening
2" - 8" 50 mm - 200 mm	0.125" 3.2 mm
10" - 12" 250 mm - 300 mm	0.125" 3.2 mm
14" - 24" 250 mm - 600 mm	.188" 4.8 mm

Size	A	B	C	D	E	F	G	Weight	
								Cover	Unit
2"	12.75	18.63	11.13	6.63	25.00	1/2	-	26	85
50	324	473	283	168	635	15	-	12	39
3"	14.00	20.50	12.50	8.63	28.50	3/4	2.13	45	140
80	356	521	318	219	724	20	54	20	63
4"	16.00	22.25	14.00	8.63	30.50	1	2.13	45	145
100	406	585	356	219	775	25	54	20	66
6"	20.00	26.50	17.00	10.75	36.00	1	3.00	70	205
150	508	673	432	273	914	25	76	32	93
8"	22.00	32.00	21.00	12.75	43.00	1 1/2	3.00	110	420
200	559	813	533	324	1092	40	76	50	190
10"	32.00	41.50	25.00	16.00	58.00	1 1/2	3.25	130	650
250	813	1054	635	406	1473	40	83	82	294
12"	35.00	44.75	28.00	18.00	61.50	1 1/2	-	220	1205
300	889	1137	711	457	1562	40	-	100	546
14"	37.00	48.75	33.00	20.00	64.50	2	-	285	1600
350	940	1238	836	508	1636	50	-	129	725
16"	42.00	54.25	36.00	24.00	72.50	2	-	430	1955
400	1067	1378	914	610	1842	50	-	195	890
18"	46.50	60.00	40.00	24.00	80.00	2	-	430	2200
450	1181	1524	1016	610	2032	50	-	195	997
20"	52.00	68.00	46.00	30.00	90.00	2	-	965	3200
500	1321	1727	1168	762	2286	50	-	437	1450
24"	64.00	82.75	55.00	36.00	110.50	2	-	1540	4500
600	1626	2102	1397	914	2807	50	-	698	2039

Notes:

1. Vents and DME are optional.
2. Cover lifting lug standard on sizes 10" and larger.

Dimensions 300# Strainer (For Certified Dimensional Prints - Consult Factory)



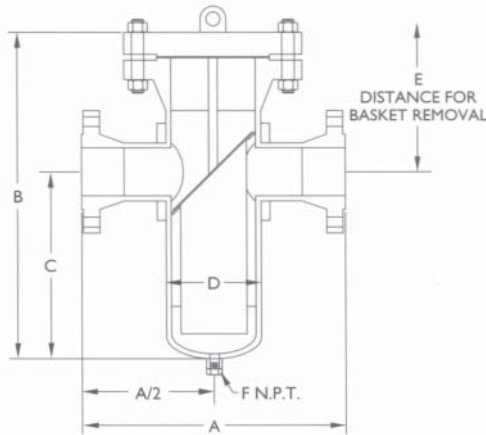
Size Range	Opening	Gauge Thickness
2" - 8" 50 mm - 200 mm	0.125" 3.2 mm	22.00
10" - 12" 250 mm - 300 mm	0.125" 3.2 mm	16
14" - 24" 250 mm - 600 mm	.188" 4.8 mm	11.00

Size	A	B	C	D	E	F	Weight	
							Cover	Unit
2" 50	14.88 378	20.00 508	12.00 305	6.63 168	28.00 711	1/2 15	50 23	195 89
3" 80	16.50 419	25.00 635	15.75 400	8.63 219	34.25 870	3/4 20	81 37	250 114
4" 100	18.63 473	26.00 660	15.88 403	8.63 219	36.13 918	1 25	81 37	300 136
6" 150	24.50 622	30.75 781	19.13 486	10.75 273	42.38 1078	1 25	125 57	490 218
8" 200	24.88 632	35.50 902	22.00 559	12.75 324	55.75 1416	1 1/2 40	185 84	681 310
10" 250	35.38 899	42.50 1080	27.25 692	16.00 406	57.25 1454	1 1/2 40	295 134	1100 500
12" 300	39.38 1000	47.75 1213	30.38 772	18.00 457	65.12 1654	1 1/2 40	395 179	1650 750
14" 350	41.50 1054	52.50 1334	33.00 838	20.00 508	72.00 1829	2 50	505 229	2600 1182
16" 400	47.50 1207	60.00 1524	38.88 988	24.00 610	81.13 2061	2 50	790 358	2750 1250

Notes:

1. Vents and Differentials are optional.
2. Cover lifting lug standard on sizes 8" and larger.

Dimensions 600# Strainer (For Certified Dimensional Prints - Consult Factory)



Size Range	Opening	Gauge Thickness
2" - 8" 50 mm - 200 mm	0.125" 3.2 mm	22.00
10" - 12" 250 mm - 300 mm	0.125" 3.2 mm	16
14" - 24" 250 mm - 600 mm	.188" 4.8 mm	11.00

Size	A	B	C	D	E	F	Weight	
							Cover	Unit
2"	18.38	21.88	12.00	6.63	31.75	1/2	86	245
50	467	556	305	168	806	15	39	111
3"	23.88	26.50	15.75	8.63	37.25	3/4	140	360
480	606	673	400	219	946	20	64	164
4"	23.88	29.00	17.38	8.63	44.63	1	140	400
100	606	737	441	219	1133	25	64	182
6"	29.88	36.25	21.38	10.75	51.13	1	230	825
150	759	921	543	273	1299	25	105	375
8"	37.00	38.75	23.38	12.75	54.13	1 1/2	295	1200
200	940	984	594	324	1375	40	134	545
10"	42.50	47.25	27.25	16.00	68.25	1 1/2	495	1600
250	1080	1200	692	406	1708	40	225	727
12"	44.00	53.25	30.38	18.00	76.13	1 1/2	630	1800
300	1118	1353	772	457	1934	40	286	818
14"	46.00	60.00	35.13	20.00	84.88	2	810	3000
350	1168	1524	892	508	2156	50	367	1364
18"	54.00	70.00	42.25	24.00	97.75	2	1250	3200
400	1372	1778	1073	610	2483	50	567	1455

Notes:

1. Vents and Differentials are optional.
2. Cover lifting lug standard on sizes 6" and larger.

The contents of this publication are presented for informational purposes only, and while every effort has been made to ensure their accuracy, they are not to be construed as warranties or guarantees, express or implied, regarding the products or services described herein or their use or applicability. Brodie Meter Co., LLC reserves the right to modify or improve the designs or specifications of such products at any time without notice.



19267 Highway 301 North (30461)
 PO Box 450 • Statesboro, GA 30459-0450
 Phone: 001.912.489.0200 • Fax: 001.912.489-0294
www.brodieintl.com