

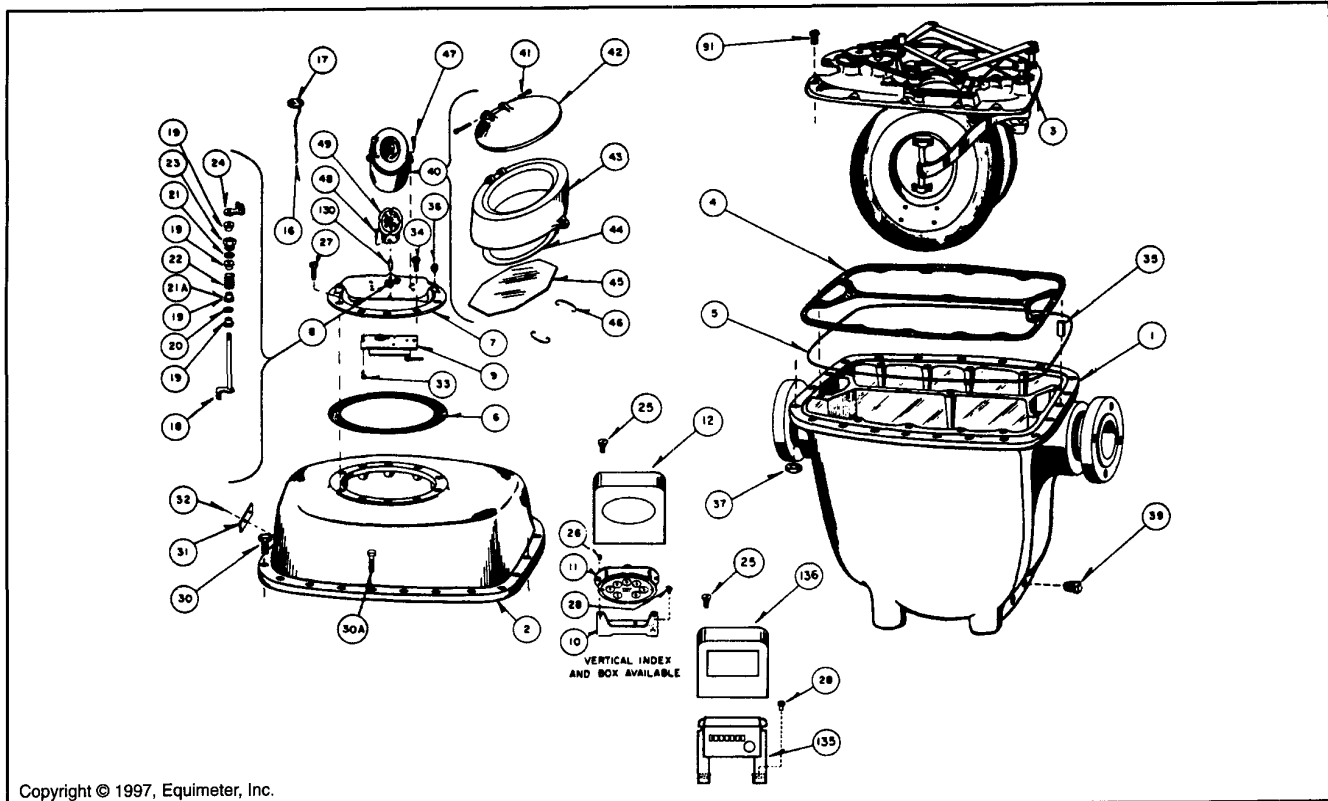


 A member of the BTR Group

**Parts List**  
**Model 3000**  
**Large Capacity Gas Meter**

---

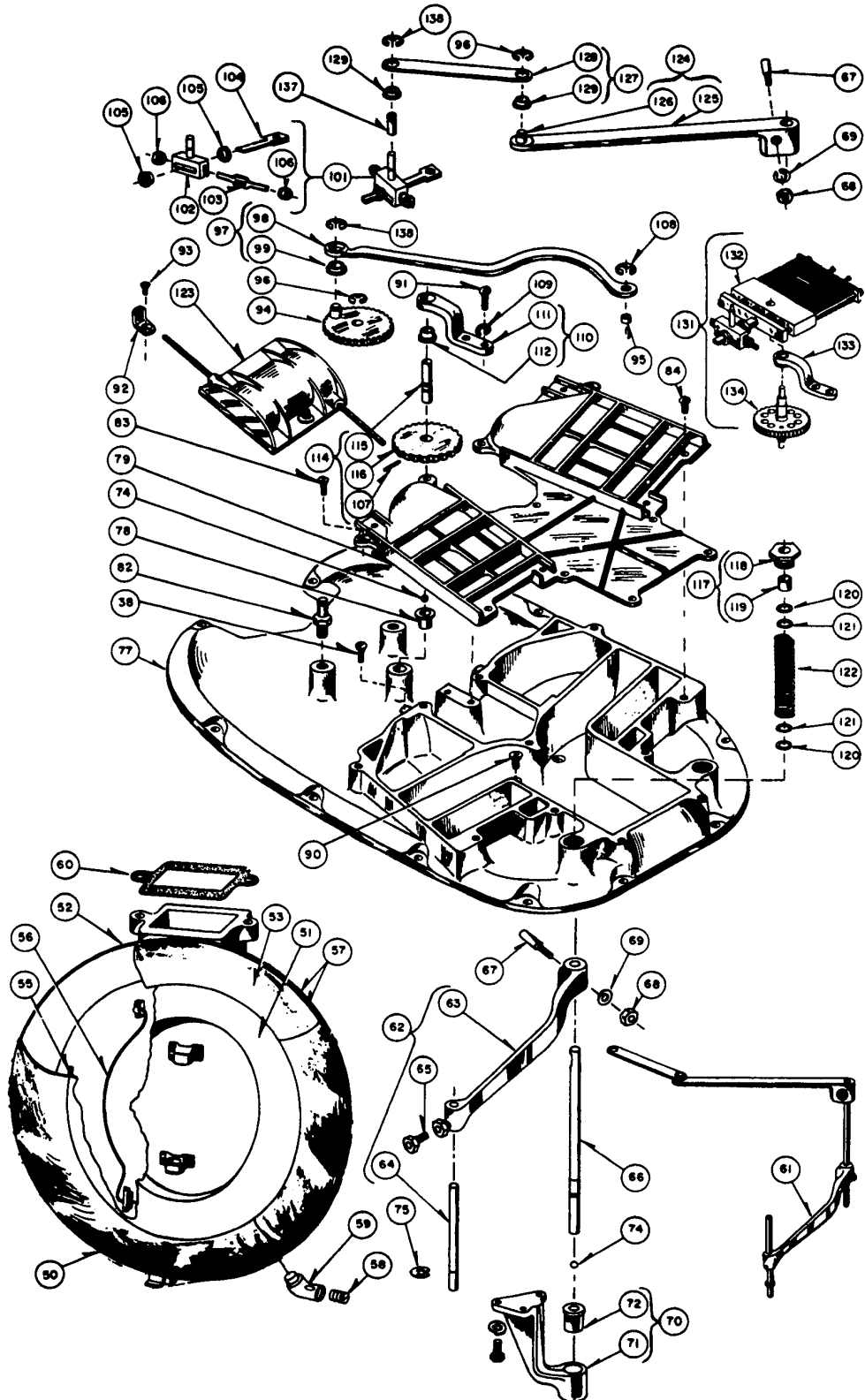
**Parts List**  
**MODEL 3000**  
**Large Capacity Gas Meter**



Copyright © 1997, Equimeter, Inc.

## Model 3000 Large Capacity Gas Meter

| ILLUSTRATION NUMBER | DESCRIPTION  | PART NUMBER   |
|---------------------|--|---------------|
| 1                   | Body Assembly With 3" Flange Connections                 | 002-20-601-00 |
|                     | Body Assembly 3" Connections Without Flanges             | 002-20-601-01 |
|                     | Body Assembly 2" Connections Without Flanges             | 002-20-601-02 |
|                     | Body Assembly With 2" Flange Connections                 | 002-20-601-04 |
| 2                   | Cover Assembly   | 002-20-503-00 |
| 3                   | Valve Plate Assembly Without Drains (Synthetic) NTC      | 002-20-502-73 |
|                     | Valve Plate Assembly With Drains (Synthetic) NTC         | 002-20-502-71 |
|                     | Valve Plate Assembly With Drains TC (Synthetic)          | 002-20-502-72 |
|                     | Valve Plate Assembly Without Drains TC (Synthetic)       | 002-20-502-70 |
| 4                   | Valve Plate Gasket                                       | 002-20-163-00 |
| 5                   | Cover Gasket "O" Ring                                    | 002-20-164-00 |
| 6                   | Index Plate Gasket                                       | 002-20-172-00 |
| 7                   | Index Plate and Stuffing Box Assembly                    | 002-20-504-00 |
|                     | Index Plate Only   | 002-20-004-00 |
| 8                   | Stuffing Box Assembly Less Index Plate                   | 011-14-423-01 |
| 9                   | Intermediate Gear Assembly (Std. 10' Index)              | 011-14-412-03 |
| *10                 | Index Mounting Bracket, Vertical Circular Reading        | 005-68-118-02 |
| *11                 | Index Assembly, 10' Vertical Circular Reading, 6 Circles | 002-20-537-10 |
|                     | Index Assembly, 10' Vertical Circular Reading, 5 Circles | 002-20-537-72 |
| *12                 | Vertical Index Box, Circular Reading                     | 011-14-006-10 |
| 16                  | Seal Wire  | 002-66-057-11 |
| 17                  | Lead Seal  | 001-60-157-00 |
| 18                  | Index Shaft and Dog Assembly                             | 011-14-554-02 |



### Model 3000 Large Capacity Gas Meter

| ILLUSTRATION NUMBER | DESCRIPTION  | PART NUMBER   |
|---------------------|--|---------------|
| 19                  | Bushing  | 001-60-052-62 |
| 20                  | Washer - Brass   | 001-61-062-01 |
| 21                  | "O" Ring   | 904379        |
| 21A                 | Sealant  | 950767        |
| 22                  | Spring   | 001-61-121-00 |
| 23                  | Gland and Bushing Assembly   | 002-22-323-02 |
| 24                  | Dog  | 002-66-071-08 |
| *25                 | Index Box Seal Screw For Equimeter Box   | 002-20-056-02 |
|                     | Index Box Seal Screw For For Carolina Molding Box  | 950053        |
| *26                 | Index Mounting Screw #8-32 x 3/16" Long Round Head Steel Machine Screw                                       | 914450        |
| 27                  | Index Plate Seal Screw   | 002-65-057-02 |
| *28                 | Index Bracket Mounting Screw 5/16-18 x 3/8" Long Fillister Head Steel Machine Screw                          | 919900        |
| 30                  | Cover to Body Bolt 3/8-16 x 1 1/4" Hexagonal Head Machine Bolt   | 910058        |
| 30A                 | Hexagonal Cap Screw 3/8 x 2 1/4" S Gr.5  | 910060        |
| 31                  | Customers Badge  | 001-61-028-20 |
| 32                  | Drive Screw #4 x 3/16" Long Round Head Brass   | 903004        |
| 33                  | Intermediate Gear Mounting Screw #8-32 x 3/8" Long Round Head Steel Machine Screw w/Pre-assembled Lockwasher | 903461        |
| 34                  | Index Plate Screw 5/16-18 x 7/8" Hexagonal Head Steel Machine Screw  | 910029        |
| 35                  | Cover Dowel Pin  | 002-66-149-00 |
| 36                  | 1/4-18 Square Head Steel Pipe Plug   | 002-66-080-04 |
| 37                  | Nut Cover to Body 1/2-13 Heavy Semi-Finished Hexagonal Steel   | 920853        |
| 38                  | Valve Plate to Port 1/4-20 x 3/8" Round Head Steel Machine Screw   | 914604        |
| 39                  | Pipe Plug Drain 3/4-14 Square Head   | 923054        |
| 40                  | Horizontal Index Box Assembly  | 002-65-506-12 |
| 41                  | Copper Rivet 5/32 x 7/8" Long Round Head   | 904145        |
| 42                  | Index Box Cover  | 002-65-007-08 |
| 43                  | Index Box  | 002-65-006-09 |
| 44                  | Index Box Glass Gasket   | 002-65-283-00 |
| 45                  | Index Box Glass  | 002-65-162-00 |
| 46                  | Index Box Glass Retainer   | 001-60-008-00 |
| 47                  | Index Box Seal Screw   | 002-65-056-00 |
| 48                  | Index Mounting Screw #8-32 x 1" Round Head Steel Machine Screw   | 914459        |
| 49                  | Horizontal Index 10'   | 002-65-537-00 |
| 50                  | Diaphragm Complete Synthetic Without Drain Right Hand and Left Hand  | 002-20-550-71 |
|                     | Diaphragm Complete Synthetic With Drain Right Hand   | 002-20-550-72 |
|                     | Diaphragm Complete Synthetic With Drain Left Hand  | 002-20-650-72 |
| 51                  | Diaphragm Material and Inner Pan Assembly (Synthetic)  | 002-20-450-71 |
| 52                  | Diaphragm Outer Pan and Port Assembly Without Drain Right Hand and Left Hand                                 | 002-20-525-00 |
|                     | Diaphragm Outer Pan and Port Assembly With Drain Right Hand  | 002-20-525-01 |
|                     | Diaphragm Outer Pan and Port Assembly With Drain Left Hand   | 002-20-625-01 |
| 53                  | Diaphragm Material (Synthetic)   | 002-65-150-71 |
| 55                  | Diaphragm Binding Wire   | 951189        |
| 56                  | Diaphragm Guide Wire   | 002-20-140-00 |
| 57                  | Diaphragm Clamping Band  | 002-20-581-21 |
| 58                  | Drain Valve  | 002-66-188-05 |
| 59                  | Drain Valve Body   | 002-67-090-00 |
| 60                  | Diaphragm Port Gasket  | 002-20-171-00 |
| 61                  | Flag, Flag Arm and Tangent Link Assembly Right Hand  | 002-20-541-00 |
|                     | Flag, Flag Arm and Tangent Link Assembly Left Hand   | 002-20-641-00 |
| 62                  | Flag and Rocker Shaft Assembly Right Hand  | 002-20-442-00 |
|                     | Flag and Rocker Shaft Assembly Left Hand   | 002-20-542-00 |
| 63                  | Flag Right Hand  | 002-20-142-00 |
|                     | Flag Left Hand   | 002-20-342-00 |
| 64                  | Rocker Shaft Assembly  | 002-22-247-00 |
| 65                  | Set Screw and Jam Nut  | 1191325       |
| 66                  | Flag Rod (Right Hand)  | 002-20-141-00 |
|                     | Flag Rod (Left Hand)   | 002-20-341-00 |
| 67                  | Flag Rod Pin   | 002-67-279-05 |
| 68                  | Hexagonal Steel Jam Nut  | 1190510       |

\*Vertical Circular Reading Index and Box. Meters with external drains available upon request.

**Model 3000 Large Capacity Gas Meter**

| ILLUSTRATION NUMBER | DESCRIPTION  | PART NUMBER   |
|---------------------|--|---------------|
| 69                  | SAE Steel Lockwasher   | 932501        |
| 70                  | Flag Rod Bearing Bracket Assembly  | 002-20-202-02 |
| 71                  | Flag Rod Bearing Bracket   | 002-22-102-01 |
| 72                  | Flag Rod Bearing Bracket Bushing Only  | 002-20-186-02 |
| 73                  | 1/4-20 x 3/4" Long Hexagonal Head Steel Machine Screw                              | 910003        |
| 74                  | Stainless Steel Ball 1/4" Diameter   | 930506        |
| 75                  | Retaining Clip Waldes Truarc #5133-37 ZD   | 904689        |
| 77                  | Valve Plate Only   | 002-20-002-00 |
| 78                  | Tangent Gear Post Bushing  | 002-20-108-02 |
| 79                  | Valve Seat   | 002-20-106-00 |
| 82                  | Valve Gear Post  | 011-14-064-02 |
| 83                  | Valve Seat Mounting Screw - 1/4-20 x 5/8" Flat Head Steel Machine Screw            | 903146        |
| 84                  | Valve Seat to Valve Plate - 1/4-20 x 1/2" Round Head Steel Machine Screw           | 914603        |
| 90                  | 1/4-20 x 5/8" Flat Head Steel Machine Screw  | 919354        |
| 91                  | 1/4-20 x 3/4" Long Round Head Steel Machine Screw (Tangent Bracket) (V.P. to Body) | 914605        |
| 92                  | Valve Guide  | 002-20-069-01 |
| 93                  | Valve Guide #10-24 x 3/8" Long Flat Head Steel Machine Screw                       | 919253        |
| 94                  | Valve Gear and Stud Assembly   | 002-20-561-00 |
| 95                  | Valve Stud Bushing   | 002-66-115-04 |
| 96                  | Valve Gear, Post and Tan Link - Retaining Clip Truarc #5133-37 ZD                  | 904681        |
| 97                  | Valve Link Assembly  | 002-20-522-05 |
| 98                  | Valve Link Only  | 002-20-022-02 |
| 99                  | Valve Link Bushing Only (Valve Gear End Only)                                      | 002-20-114-02 |
| 100                 | Tangent, Post and Gear and Bracket Assembly  | 002-20-604-12 |
| 101                 | Tangent Assembly   | 002-20-513-05 |
| 102                 | Tangent Post   | 002-20-045-03 |
| 103                 | Tangent Post Adjusting Screw   | 002-65-046-00 |
| 104                 | Tangent Arm  | 002-20-013-00 |
| 105                 | Tangent Arm Locknut  | 002-66-015-07 |
| 106                 | Tangent Post Adjusting Screw Locknut   | 002-66-015-05 |
| 107                 | 3/32 Diameter x 3/4" Long #5 Steel Groove Pin                                      | 904116        |
| 108                 | Retaining Clip Truarc #5133-18 ZD  | 904679        |
| 109                 | Lockwasher 1/4" S.A.E. Steel   | 932525        |
| 110                 | Tangent Post Bracket Assembly  | 002-20-404-00 |
| 111                 | Tangent Post Bracket   | 002-20-104-00 |
| 112                 | Tangent Post Bracket Bushing Only  | 002-20-108-02 |
| 114                 | Tangent Gear and Post Assembly   | 002-20-461-01 |
| 115                 | Tangent Gear Post  | 002-20-016-01 |
| 116                 | Tangent Gear   | 002-20-061-15 |
| 117                 | Flag Rod Packing Gland Assembly  | 002-66-512-02 |
| 118                 | Flag Rod Packing Gland Only  | 002-66-012-04 |
| 119                 | Flag Rod Packing Gland Bushing Only  | 002-66-026-03 |
| 120                 | Flag Rod Seal Washer   | 002-66-180-01 |
| 121                 | Flag Rod Gland Spring Washer   | 002-66-049-07 |
| 122                 | Flag Rod Gland Spring  | 002-67-021-00 |
| 123                 | Right Hand Valve Assembly  | 002-20-505-26 |
|                     | Left Hand Valve Assembly   | 002-20-605-26 |
| 124                 | Flag Arm and Stud Assembly   | 002-20-211-01 |
| 125                 | Flag Arm   | 002-20-011-01 |
| 126                 | Flag Arm Stud Only   | 002-20-051-01 |
| 127                 | Tangent Link Assembly  | 002-20-520-00 |
| 128                 | Tangent Link   | 002-20-020-00 |
| 129                 | Tangent Link Bushing   | 002-20-117-02 |
| 130                 | Horizontal Index Spacing Sleeve  | 002-67-197-04 |
| 131                 | Temperature Compensated Tangent Assembly Complete                                  | 002-20-604-20 |
| 132                 | Temperature Compensated Tangent  | 002-20-513-10 |
| 133                 | Tangent Gear Bracket   | 002-20-404-00 |
| 134                 | Tangent Gear and Post Assembly   | 002-20-461-04 |
| 135                 | Index and Bracket Assembly, Vertical Direct Reading (10')                          | 011-14-637-01 |
| 136                 | Vertical Index Box, Direct Reading   | 011-14-006-15 |
| 137                 | Tangent Post Sleeve  | 002-20-185-00 |
| 138                 | Retaining Clip Truarc #5133-25 MD (Tan Post) (Valve Gear Stud)                     | 904680        |

\*Vertical Circular Reading Index and Box. Meters with external drains available upon request.

---

**Equimeter Incorporated, 805 Liberty Boulevard, DuBois, PA 15801**  
**(814) 371-8000**  
**FAX (814) 375-8460**

Representatives in all principal cities.  
Distributors throughout the world.



Equimeter Incorporated  
805 Liberty Boulevard  
P.O. Box 528  
DuBois, PA 15801



A member of the BTR Group



---

**Authorized Distributor:**

**LIMITED WARRANTY** Seller warrants the Goods to be free from defects in materials manufactured by Seller and in Seller's workmanship for a period of [one (1) year] after tender of delivery (the "Warranty Period"). **THIS LIMITED WARRANTY (a) IS IN LIEU OF, AND SELLER DISCLAIMS AND EXCLUDES, ALL OTHER WARRANTIES, STATUTORY, EXPRESS OR IMPLIED, INCLUDING, WITHOUT LIMITATION, ANY WARRANTY OF MERCHANTABILITY OR FITNESS FOR A PARTICULAR PURPOSE, OR OF CONFORMITY TO MODELS OR SAMPLES;** (b) does not apply to any Goods which have been (i) repaired, altered or improperly installed; (ii) subjected to improper use or storage; (iii) used or incorporated with other materials or equipment, after Buyer or anyone using the Goods has, or reasonably should have, knowledge of any defect or nonconformance of the Goods; or (iv) manufactured, fabricated or assembled by anyone other than Seller; (c) shall not be effective unless Buyer notifies Seller in writing of any purported defect or nonconformance within [thirty (30) days] after Buyer discovers or should have reasonably discovered such purported defect or nonconformance; and (d) shall only extend to Buyer and not to any subsequent buyers or users of the Goods. Buyer shall provide Seller access to the Goods as to which Buyer claims a purported defect or nonconformance; upon request by Seller, Buyer shall, at its own risk and expense, promptly return the Goods in question to Seller's Plant.