

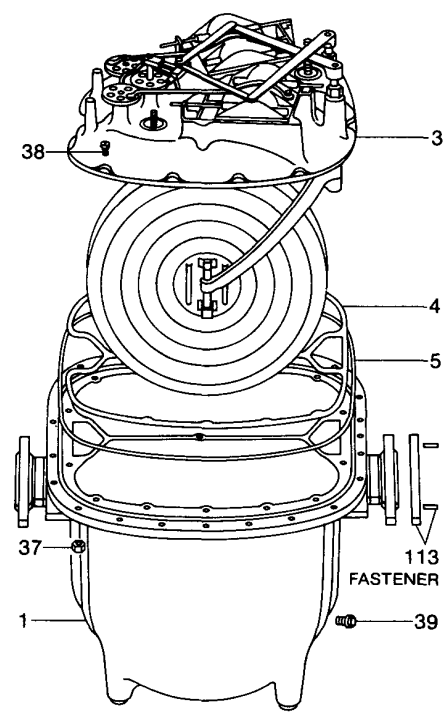
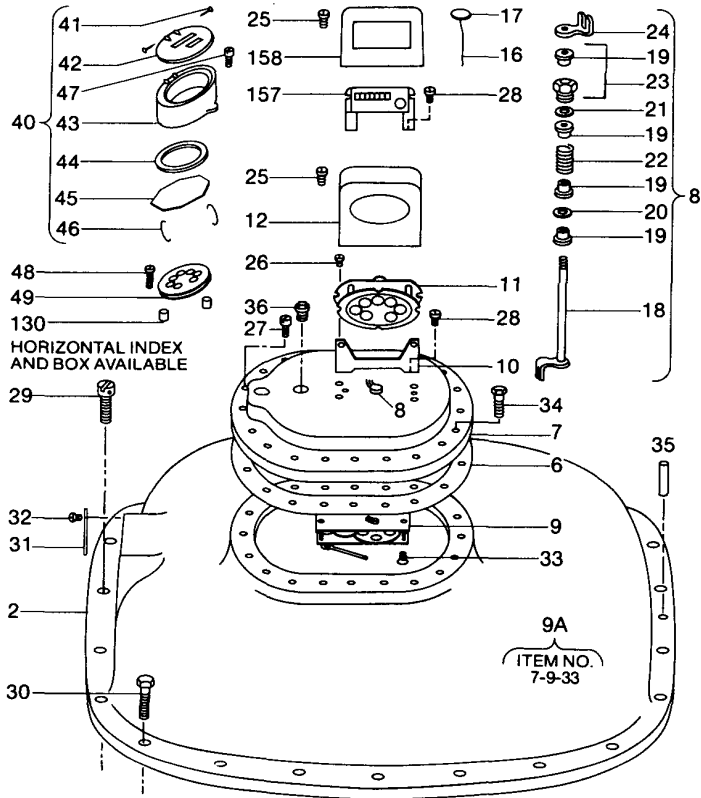


**Parts List**  
**Model 10,000 Large Capacity Gas Meter**

---

**Parts List**  
**MODEL 10,000**  
**Large Capacity Gas Meter**

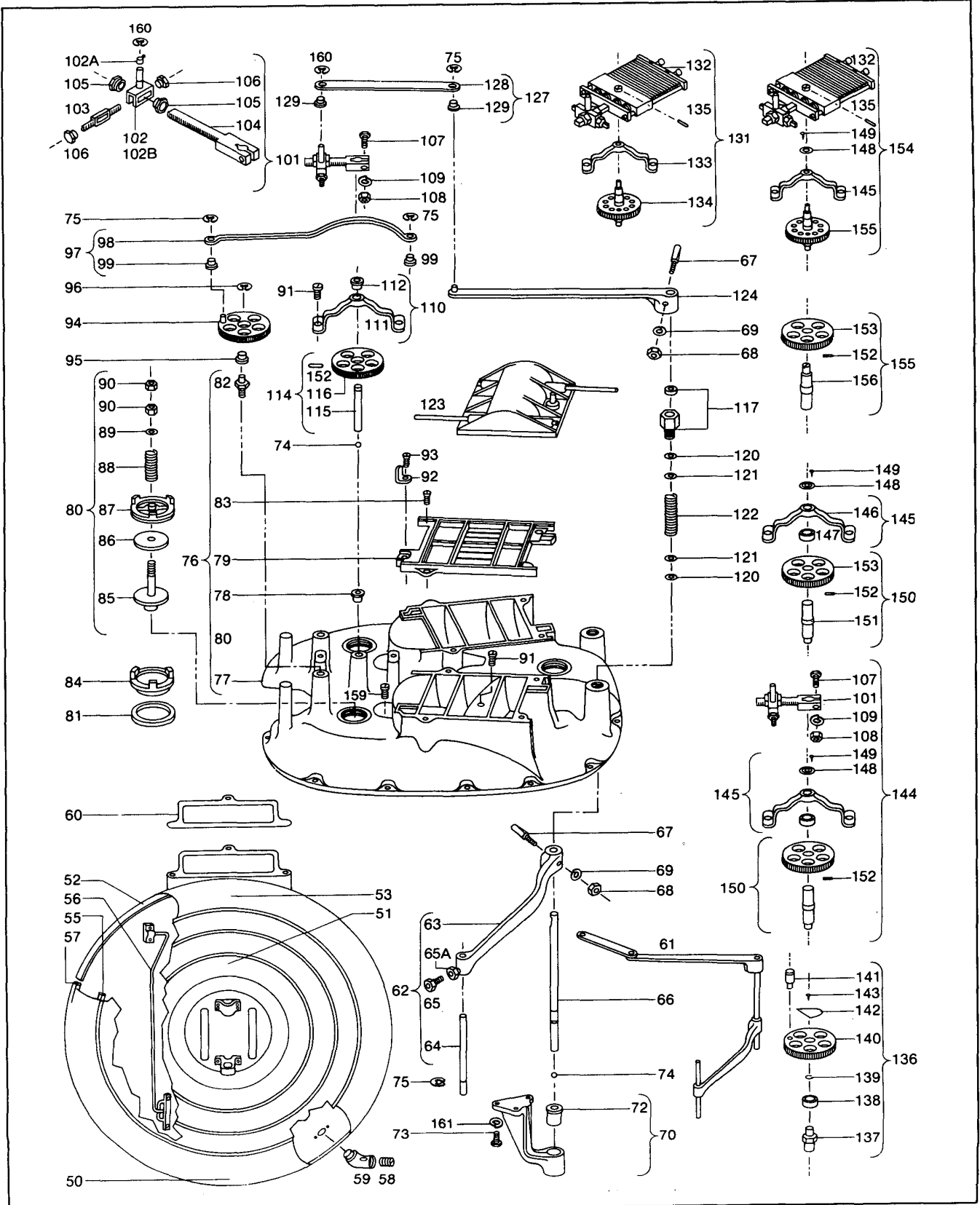
**Model 10,000 Large Capacity Gas Meter**



### Model 10,000 Large Capacity Gas Meters

ILLUSTRATION NUMBER	DESCRIPTION	PART NUMBER
1	Body Without Flanges 4"-8 NPT Conn.	002-22-601-01
	Body With Flanges 4"	002-22-601-00
2	Cover Assembly Without Temperature Probe Hole <sup>1</sup>	002-22-503-05
	Cover Assembly With Temperature Probe Hole <sup>1</sup>	002-22-503-06
3	Valve Plate Assemblies (SYN)	
	NTC Without Drains-Without Relief Valves	002-22-502-74
	NTC Without Drains-With Relief Valves	002-22-502-72
	NTC With Drains-Without Relief Valves	002-22-502-75
	NTC With Drains-With Relief Valves	002-22-502-73
	TC Without Drains-Without Relief Valves	002-22-502-76
	TC Without Drains-With Relief Valves	002-22-502-70
	TC With Drains-Without Relief Valves	002-22-502-77
	TC With Drains-With Relief Valves	002-22-502-71
4	Valve Plate Gasket	002-22-163-00
5	Cover to Body Gasket "O" Ring	002-22-164-00
6	Index Plate Gasket-20 Holes	002-22-172-00
	Index Plate Gasket-10 Holes	002-67-172-03
7	Index Plate and Stuffing Box Assembly-20 Mounting Holes <sup>2</sup>	002-22-504-13
8	Stuffing Box Assembly (Less Index Plate)	002-66-423-00
9	Intermediate Gear Assemblies	
	3.2 to 1 10Ft. Index-Prior to Serial No. V-22778 9-14-74 <sup>3</sup>	002-22-412-00
	32 to 1 100 Ft. Index-Prior to Serial No. V-22778 9-14-74 <sup>3</sup>	002-22-412-04
	32 to 1 100 Ft. Index-After Above Serial No. (Requires 3 Mounting Screws)	002-22-412-07
	3.2 to 1 10 Ft. Index-After Above Serial No. (Requires 3 Mounting Screws)	002-22-412-08
	12 to 1 Metric 1.0 m <sup>3</sup> -After Above Serial No. (Requires 3 Mounting Screws)	002-22-412-09
9A	Index Plate and Intermediate Gear Assembly 32 to 1-20 Mounting Holes <sup>2</sup>	002-22-612-15
	Index Plate and Intermediate Gear Assembly 3.2 to 1-20 Mounting Holes <sup>2</sup>	002-22-612-17
	Index Plate and Intermediate Gear Assembly 12 to 1-20 (Metric) Mounting Holes <sup>2</sup>	002-22-612-19
10	Index Mounting Bracket	005-68-118-02
11	Index Assembly-Circular Reading-Vertical 100 Ft.	002-20-537-20
	Index Assembly-Circular Reading-Vertical 10 Ft.	002-20-537-10
	Index Assembly-Circular Reading-Vertical 1.0 m <sup>3</sup>	002-20-537-50
12	Lexan Vertical Index Box Circular Reading	011-14-006-10
	Glass Window Only, For Vertical Aluminum Index Box	005-68-162-02
	Lexan Window Only, For Vertical Aluminum Index Box	005-68-162-11
16	Seal Wire, 32" Long	002-66-057-11
17	Lead Seal	001-60-157-00
18	Index Shaft and Dog Assembly	002-66-554-02
19	Bushing	001-60-052-62
20	Washer-Brass	001-61-062-01
21	"O" Ring Seal	904379
22	Spring	001-61-121-00
22A	Stuffing Box Dressing	950767
23	Gland and Bushing Assembly	002-22-323-02
24	Dog	002-66-071-08
25	Index Box Seal Screw For Equimeter Box	011-14-056-00
	Index Box Seal Screw For Carolina Molding Box	950053
26	Index Mounting Screw #8-322 x 3/16" Long Round Head Steel Machine Screw	914450
27	Index Plate Sea; Screw 3/8"-16 x 1" Long Hexagonal Head Steel	002-67-057-03
	Index Plate Sea; Screw 3/8"-16 x 1 1/2" Long Hexagonal Head Steel	002-22-057-03
28	Index Bracket Screw 5/16"-18 x 3/8" Long Filister Head Steel Machine Screw	919900
29	Cover to Body Screw 1/2"-13 x 1 1/2" Long Hexagonal Head Steel Machine Screw	950065
30	Cover to Body Screw 1/2"-13 x 2 1/2" Long Hexagonal Head Steel Machine Screw	905901
	Cover to Body Screw 1/2"-13 x 2 1/4" Long Hexagonal Head Steel Machine Screw	935651

<sup>1</sup> Cover assemblies with 20 holes for mounting index plate . . . not interchangeable with cover assemblies having 10 mounting holes. When replacing cover assembly having 10 mounting holes, the following parts are required: cover assembly index plate (Ill. 7), 20-hole gasket (Ill. 6), intermediate gear assembly for meters with serial no. V-22778 and later (Ill. 9), and 1 1/2" long cap screws (Ill. 34).  
<sup>2</sup> Index plate will not mount on covers with 10 mounting holes. Index plate with 20 holes requires cover (Ill. 2) and other parts listed in note 1. <sup>3</sup> Will not fit index plate assembly Ill 7 and 9.



**Model 10,000 Large Capacity Gas Meter (Continued)**

ILLUSTRATION NUMBER	DESCRIPTION	PART NUMBER
31	Customers Badge - Blank	001-61-028-20
	Manufacturer's Nameplate	002-22-073-XX
32	Drive Screw #4 x 3/16" Long Round Head Brass	903004
33	Intermediate Gear Mounting Screw #8-32 x 3/8" Long Round Head Steel Machine Screw w/Pre-assembled Lockwasher	903461
34	Cap Screw Index Plate 3/8 - 16 x 1" Long Hexagonal Head Steel (10 required)	935627
	Cap Screw Index Plate 3/8 - 16 x 1 1/2" Long Hexagonal Head Steel (20 required)	950425
35	Cover Dowel Pin	002-66-149-00
36	Pipe Plug 1/4 - 18 Square Head Steel	002-66-080-04
37	Nut Cover to Body 1/2 - 13 Heavy Semi-Finished Hexagonal Steel	903940
38	Screw V.P. and Ports 1/4 - 20 x 7/8" Long Round Head Steel Machine	914606
39	Pipe Plug Drains 3/4 - 14 Square Head Steel	923054
40	Horizontal Index Box Assembly (Glass Window)	002-65-506-12
	Horizontal Index Box Assembly (Lexan Window)	002-65-506-17
*41	Copper Rivet 3/32" x 7/8" Long Round Head	904145
*42	Index Box Cover	002-65-007-08
*43	Index Box	002-65-006-09
*44	Gasket Index Box Glass	002-65-283-00
45	Index Box Window - Glass	002-65-162-00
	Index Box Window - Lexan	002-65-162-11
*46	Index Box Glass Retainer	001-60-008-00
*47	Index Box Seal Screw	002-65-056-00
48	Index Mounting Screw #8-32 X 1" Round Head Steel Machine Screw	914459
49	Horizontal Index 100'	005-69-537-18
	Horizontal Index 10'	002-65-537-00
50	Diaphragm Complete (Synthetic) Without Drain Right Hand and Left Hand	002-22-550-71
	Diaphragm Complete (Synthetic) With Drain Right Hand	002-22-550-72
	Diaphragm Complete (Synthetic) With Drain Left Hand	002-22-650-72
51	Diaphragm Material and Inner Pan Assembly (Synthetic)	002-22-450-71
52	Diaphragm Outer Pan and Port Assembly Without Drain Right Hand and Left Hand	002-22-525-00
	Diaphragm Outer Pan and Port Assembly With Drain Right Hand	002-22-525-01
	Diaphragm Outer Pan and Port Assembly With Drain Left Hand	002-22-625-01
53	Diaphragm - Synthetic	002-22-150-71
55	Diaphragm Binding Wire	99942
56	Diaphragm Guide Wire	002-22-140-00
57	Diaphragm Clamping Band	002-22-581-21
58	Drain Valve	002-66-188-05
59	Drain Valve Body	002-67-090-00
60	Diaphragm Port Gasket	002-22-171-00
61	Flag, Flag Arm and Tangent Link Assembly Right Hand	002-22-541-00
	Flag, Flag Arm and Tangent Link Assembly Left Hand	002-22-641-00
62	Flag and Rocker Shaft Assembly Right Hand	002-22-442-00
	Flag and Rocker Shaft Assembly Left Hand	002-22-542-00
63	Flag Right Hand	002-22-142-00
	Flag Left Hand	002-22-342-00
64	Rocker Shaft Assembly	002-22-247-00
65	1/4 - 20 x 3/4" Hexagon Socket Head Cup Point Stainless Steel Set Screw	950797
65A	1/4 - 20 Hexagonal Stainless Steel Jam Nut	903929

\*Horizontal index and box available. Meters with external drains available upon request.

**Model 10,000 Large Capacity Gas Meter (Continued)**

ILLUSTRATION NUMBER	DESCRIPTION	PART NUMBER
66	Flag Rod Right Hand	002-22-141-00
	Flag Rod Left Hand	002-22-341-00
67	Flag Rod Pin	002-67-279-05
68	Jam Nut $\frac{5}{16}$ " - 18" Hexagonal Steel	1190510
69	Lockwasher $\frac{5}{16}$ " SAE Steel	932501
70	Flag Rod Bracket & Bushing Assembly	002-22-202-02
72	Bushing	002-22-186-02
73	$\frac{1}{4}$ -20 x $\frac{3}{4}$ " Long Hexagonal Head Steel Machine Screw	910003
74	Stainless Steel Ball $\frac{1}{4}$ " Diameter	930506
75	Retaining Clip Waldes Truarc #5133-37 MD	904689
76	Valve Plate and Seat Assembly With Relief Valves	002-22-602-02
	Valve Plate and Seat Assembly Without Relief Valves	002-22-602-00
77	Valve Plate for Relief Valves	002-22-002-01
	Valve Plate Without Relief Valves	002-22-002-00
78	Tangent Gear Post Bushing	002-22-108-02
79	Valve Seat Right Hand	002-22-106-00
	Valve Seat Left hand	002-22-306-00
80	Relief Valve Assembly	002-65-577-02
81	Relief Valve Gasket	002-65-138-00
82	Valve Gear Post - Bushing Type	002-22-064-01
83	Valve Seat Mounting Screw - $\frac{1}{4}$ -20 x $\frac{5}{8}$ " Long Flat Head Steel Machine Screw	919354
84	Relief Valve Plug	002-65-177-01
85	Relief Valve and Stem Assembly	002-65-579-00
86	Relief Valve Disc	002-65-180-02
87	Relief Valve Body	002-65-177-00
88	Relief Valve Spring	002-65-181-01
89	Washer	002-65-049-01
90	Relief Valve Adjusting Nuts	002-65-182-00
91	Diaphragm Mounting Screw $\frac{1}{4}$ -20 x $\frac{3}{4}$ " Flat Head Steel Machine Screw	919355
92	Valve Guide	002-22-069-01
93	Valve Guide Mounting Screws #10-24 x $\frac{5}{8}$ " Long Flat Head Steel Machine Screw	919253
94	Valve Gear Assembly - Bushing Type	002-22-561-02
95	Valve Gear Bushing	002-22-186-02
96	Valve Gear Retaining Ring - Truarc #5133-50 ZD	904672
97	Valve Link Assembly	002-22-522-05
98	Valve Link	002-22-022-02
99	Valve Link Bushing	002-22-114-02
100	Standard Tangent and Bracket Assembly - Bushing Type (Items 101, 107, 108, 109, 110 and 114)	002-22-604-12
101	Tangent Assembly	002-22-513-06
102	Tangent Post	002-22-045-02
102A	Tangent Post Sleeve Stainless Steel	002-22-185-00
102B	Tangent Post and Sleeve Assembly	002-22-245-00
103	Tangent Post Adjusting Screw	002-67-046-02
104	Tangent Arm	002-22-013-00
105	Tangent Arm Locknut	002-67-015-02
106	Tangent Post Adjusting Screw Locknut	002-66-015-07
107	Cap Screw $\frac{1}{4}$ -20 x $1\frac{1}{4}$ " Long Head Hexagonal Steel	910006
108	Nut $\frac{1}{4}$ -20 Hexagonal Stainless Steel	903929
109	Lockwasher $\frac{1}{4}$ " Regular Split	932525
110	Tangent Post Bracket Assembly - Bushing Type	002-22-404-00
111	Tangent Post Bracket	002-22-104-00
112	Tangent Post Bracket Bushing	002-22-108-02

**Model 10,000 Large Capacity Gas Meter (Continued)**

ILLUSTRATION NUMBER	DESCRIPTION	PART NUMBER
113	Dust Cap for 4" Body Without Flanges	002-67-131-03
	For 4" Body With Flanges - Flange Protector	904958
	For 4" Body With Flanges - Fastener (4 Required)	905485
	For 4" Body With Flanges - Fastener Washer (4 Required)	905578
114	Tangent Gear and Post Assembly - Bushing Type	002-22-461-00
115	Tangent Gear Post	002-22-016-01
116	Tangent Gear (Order Assembly 00222-461-00)	002-22-061-11
117	Flag Rod Packing Gland and Bushing Assembly	002-67-512-03
120	Flag Rod Seal Washer	002-67-180-02
121	Flag Rod Gland Spring Washer	002-67-049-28
122	Flag Rod Gland Spring	002-67-021-00
123	Right Hand Valve Assembly	002-22-505-26
	Left Hand Valve Assembly	002-22-605-26
124	Right Hand Flag Arm and Stud Assembly	002-22-311-00
	Left Hand Flag Arm and Stud Assembly	002-22-411-00
127	Tangent Link Assembly	002-22-520-00
128	Tangent Link	002-22-020-00
129	Tangent Link Bushing	002-22-117-02
130	Horizontal Index Spacing Sleeve	002-67-197-04
131	Temperature Compensated Tangent and Bracket Assembly - Bushing Type	002-22-604-19
132	Temperature Compensated Tangent	002-22-513-09
133	Tangent Gear Bracket - Bushing Type	002-22-404-00
134	Tangent Gear and Post Assembly - Bushing Type - Temperature Compensated	002-22-461-07
135	Tangent Gear Post Pin - Temperature Compensated Only	002-22-143-00
136	Valve Gear Assembly - Ball Bearing	002-22-561-04
137	Valve Gear Post (Order 00222-561-04)	002-22-064-02
138	Ball Bearing ND-8008	904189
139	Snap Ring	002-66-128-00
140	Valve Gear (Order 00222-561-04)	002-22-061-13
141	Valve Gear Stud	002-22-062-01
142	Dust Cover	002-22-187-00
143	#4-36 x 1/8" Long Round Head Machine Screw - Brass	903020
144	Standard Tangent and Bracket Assembly - Ball Bearing (Items No. 101, 107, 108, 109, 145, 148, 149, 150)	002-22-604-15
145	Tangent Post Bracket Assembly - Ball Bearing	002-22-404-03
146	Tangent Post Bracket - Ball Bearing (Order 00222-404-03)	002-22-104-03
147	Ball Bearing ND-88013	904190
148	Dust Cap	002-67-187-01
149	#4-36 x 1/8" Long Round Head Machine Screw - Brass	903020
150	Tangent Gear and Post Assembly - Ball Bearing	002-22-461-05
151	Tangent Gear Post - Ball Bearing (Order 00222-461-050)	002-22-016-04
152	1/8" Diameter x 1" Long Type "A" Groove Pin	904112
153	Tangent Gear (Order 00222-461-05)	002-22-061-11
154	Temperature Compensated Tangent and Bracket Assembly - Ball Bearing	002-22-604-17
155	Temperature Compensated Tangent Gear and Post Assembly - Ball Bearing	002-22-461-06
156	Temperature Compensated Tangent Gear Post - Ball Bearing	002-22-016-05
157	Vertical Direct Reading Index Assembly - 100 Ft.	011-14-637-02
	Vertical Direct Reading Index Assembly - 10 Ft.	011-14-637-01
	Vertical Direct Reading Index Assembly - 1.0 m <sup>3</sup>	011-14-637-05
158	Vertical Direct Reading Index Box - Lexan	011-14-006-15
159	(4) Round Head Machine Screw 1/4" - 20 x 3/4" Long	914605
160	Retaining Ring 5133-50 2D	904680
161	Lockwasher 1/4"	932525

<sup>3</sup> Will not fit index plate assembly III. 7 and 9.

---

**Equimeter Incorporated, 805 Liberty Boulevard, DuBois, PA 15801**  
**(814) 371-8000**  
**FAX (814) 375-8460**

Representatives in all principal cities.  
Distributors throughout the world.



Equimeter Incorporated  
805 Liberty Boulevard  
P.O. Box 528  
DuBois, PA 15801

 A member of the BTR Group



---

**Authorized Distributor:**

**LIMITED WARRANTY** Seller warrants the Goods to be free from defects in materials manufactured by Seller and in Seller's workmanship for a period of [one (1) year] after tender of delivery (the "Warranty Period"). **THIS LIMITED WARRANTY (a) IS IN LIEU OF, AND SELLER DISCLAIMS AND EXCLUDES, ALL OTHER WARRANTIES, STATUTORY, EXPRESS OR IMPLIED, INCLUDING, WITHOUT LIMITATION, ANY WARRANTY OF MERCHANTABILITY OR FITNESS FOR A PARTICULAR PURPOSE, OR OF CONFORMITY TO MODELS OR SAMPLES;** (b) does not apply to any Goods which have been (i) repaired, altered or improperly installed; (ii) subjected to improper use or storage; (iii) used or incorporated with other materials or equipment, after Buyer or anyone using the Goods has, or reasonably should have, knowledge of any defect or nonconformance of the Goods; or (iv) manufactured, fabricated or assembled by anyone other than Seller; (c) shall not be effective unless Buyer notifies Seller in writing of any purported defect or nonconformance within [thirty (30) days] after Buyer discovers or should have reasonably discovered such purported defect or nonconformance; and (d) shall only extend to Buyer and not to any subsequent buyers or users of the Goods. Buyer shall provide Seller access to the Goods as to which Buyer claims a purported defect or nonconformance; upon request by Seller, Buyer shall, at its own risk and expense, promptly return the Goods in question to Seller's Plant.